

BUILDING

INDUSTRY

Machine directive 2006/42/CE
Quality Process complying with the ISO 9001 :2015 standard



PERM 05

| Permanent personnel lifting | Suspended platform

PRODUCT OF FRANCE
MANUFACTURED IN FRANCE



PRACTICALITY

- ✓ Maximum working height of 100 m
- ✓ Adapts to any type of building
- ✓ Two models available, compatible with the electric hoist e.lift 350 (three-phase and single-phase, lifting speed 9m/min) equipped with a antifall system SECURICHUTE 500
- ✓ Wire drum winder for steel cables and spring rewinder for electric cables (accessory)
- ✓ Custom designs available based on specifications jointly defined with the design department



COMFORT

- ✓ Aluminium anti slip platform
- ✓ Sturdy: galvanised steel support bracket
- ✓ Ergonomic, light and handy
- ✓ Space saving

PERM 05 is a permanent platform for the cleaning of windows, curtain walls and atriums.

The PERM 05 platform is motorized with the electric personnel lifting winch e.lift 350.

It can be combined with suspension systems such as monorail, terrace trolley or jib crane.

Robust and lightweight

PERM 05 is made of a mechanically welded construction of galvanized steel (bearing bracket) and aluminium (tube and fairing structure), which makes it highly resistant to corrosion.

For more information :
www.fixator.com

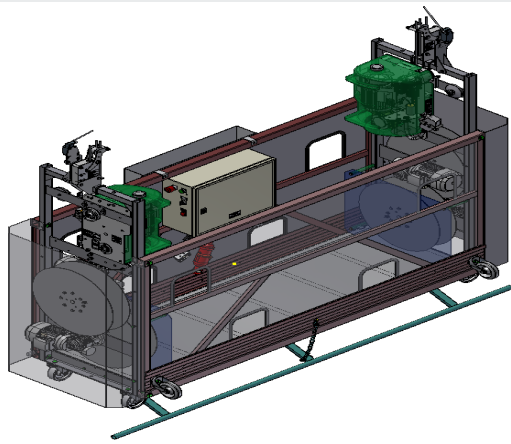


All our platforms, cradles and single-seat bosun chairs are connected to hoists equipped with a safety system.



FIXATOR
SAFETY AT THE VERY TOP

MANUFACTURER OF HEIGHT ACCESS FOR 95 YEARS



PERM 05

| Permanent personnel lifting | Suspended platform

PRODUCT OF FRANCE
MANUFACTURED IN FRANCE

PRODUCT FEATURES

| Standard Model: from 1,4 to 4,5 meters

Description	Example platform 2 m	Example platform 3 m
Max. working load WLL (kg)	from 180 to 300	
Overall length (m)	2,460	3,456
Overall width (m)	0,865	
Overall height (m)	2,150	
Weight without cable (kg)	290	310
Coefficient Sd	2	

DID YOU KNOW ?

Being aware that «standardised» lifting solutions cannot always meet your needs when carrying out specific work: complex building architectures, almost inaccessible work areas, etc.

We provide you with a department dedicated to the completion of «tailor-made» solutions.

Our objective is to respond to the specificities of your projects down to the last detail, because each of them requires a personalised support based on your real needs.

STANDARD EQUIPMENT (INCLUDED)

- | Control box with Gyrostop (anti-tilt)
- | Bottom trip bar
- | Railings fairings
- | Wire drum winder for steel cables (capacity : 100 m)
- | Wheels for ground travel
- | Facade support wheels (soft rubber)

ACCESSORIES (OPTIONAL)

- | Lateral fairings of the wire drum winder
- | Removable cable bin (capacity: 50 m or 100 m)
- | Spring rewinder for electric cables
- | Beacon
- | Spotlights / Projectors
- | Wireless remote control
- | Epoxy paint (choice of the colour in the Ral)
- | Intercom
- | Anemometer

FIXATOR
SAFETY AT THE VERY TOP

8 rue du Bois Rinier - P.A. - BP 10041
49181 St-Barthélemy-d'Anjou Cedex
FRANCE

T. : + 33 (0) 241 311 700
Fax : + 33 (0) 241 311 705

Email : info@fixator.com

www.fixator.com



FIXATOR
SAFETY AT THE VERY TOP

BUILDING

INDUSTRY

Machine directive 2006/42/CE
Quality Process complying with the ISO 9001 :2015 standard

CE

PERM 15

I PERMANENT PERSONNEL LIFTING I Suspended platform

PRODUCT OF FRANCE
MANUFACTURED IN FRANCE



CONVENIENCE

- ✓ Maximum working height of 100 m
- ✓ Adapts to any type of work site
- ✓ Compatible with electric hoist e.lift 501 (three-phase and single-phase, lifting speed 9m/min) equipped with a fall arrest system, SECURISTOP 600
- ✓ Reels for steel cables and electric cables (*accessory*)
- ✓ Custom designs available based on specifications jointly defined with the design department



COMFORT

- ✓ Aluminium anti slip platform
- ✓ Ergonomic, lightweight and stable

PERM 15 is a permanent platform designed to carry out work at great heights on building facades.

PERM 15 platform is motorized with electric personnel lifting hoists, e.lift 501.

It can be combined with suspension systems such as monorail, terrace trolleys or gallows.

Robust and lightweight

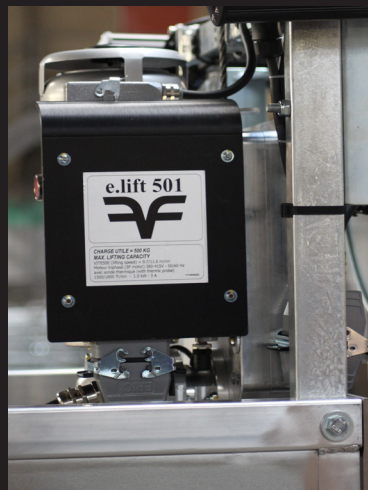
PERM 15 is made of galvanised steel and aluminium construction, which makes it light and highly resistant to corrosion.

For more information :

www.fixator.com



All our platforms, cradles and single-seat bosun chairs are connected to hoists equipped with a safety system.



equipped with electric hoist e.lift 501

FIXATOR
SAFETY AT THE VERY TOP

MANUFACTURER OF HEIGHT ACCESS FOR 95 YEARS

PERM 15

I PERMANENT PERSONNEL LIFTING I Suspended platform

PRODUCT OF FRANCE
MANUFACTURED IN FRANCE

PRODUCT FEATURES

Description	PERM 15 (2 meters)	PERM 15 (3 meters)
Max. working load RL (kg)	180 à 300 (1 à 2 personnes)	
Overall length (mm)	2,460	3,456
Overall width (mm)	0,865	
Nominal width (mm)	725	
Overall height (mm)	2150	
Weight without cable (kg)	290	310
Empty weight SWP (kg)	456 à 575	
Total suspended weight TSL (kg)	636 à 885	
Coefficient sd	2.0	
Distance between suspension cable and front panel (mm)	585	

DID YOU KNOW ?

Being aware that «standardised» lifting solutions cannot always meet your needs when carrying out specific work: complex building architectures, almost inaccessible work areas, etc.

We provide you with a department dedicated to the realization of «tailor-made» solutions. Our objective is to respond to the specificities of your projects down to the last detail, because each of them requires a personalised support based on your real needs.

STANDARD EQUIPMENT (INCLUDED)

- I Control box with Gyrostop (anti-tilt)
- I Bottom trip bar
- I Wire drum winder for steel cables (capacity of 100 m)
- I Wheels for ground travel
- I Facade support wheels (Soft rubber)
- I Bodyguard fairings

ACCESSORIES (OPTIONAL)

- I Reel side fairings
- I Removable cable bin (capacity 50 m or 100 m)
- I Spring winders for electrical cable
- I Beacon
- I Projectors
- I Radio control
- I Epoxy Paint (choice of the colour in the Ral)
- I Intercom
- I Anemometer

FIXATOR
SAFETY AT THE VERY TOP

8 rue du Bois Rinier - P.A. - BP 10041
49181 St-Barthélemy-d'Anjou Cedex
FRANCE

T. : + 33 (0) 241 311 700
Fax : + 33 (0) 241 311 705

Email : info@fixator.com

www.fixator.com



FIXATOR
SAFETY AT THE VERY TOP